



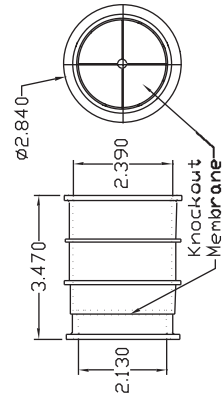
PENNSYLVANIA INSERT
 PO Box 199
 SPRING CITY, PA 19475
 P. 610.948.9688
 F. 610.948.9750

11/12/01

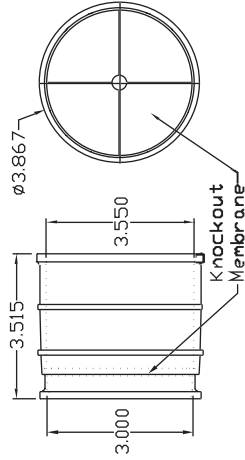
**ELECTRIC / TELEPHONE
 DUCT TERMINATORS**

YOU CAN FIND THIS INFORMATION ONLINE AT: PENNSYLVANIAINSERT.COM
 OR EMAIL YOUR REQUEST TO: SALES@PENNSYLVANIAINSERT.COM

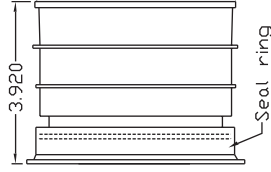
DATE: _____ CUSTOMER: _____
 REV 1: _____ JOB: _____
 REV 2: _____ OWNER: _____



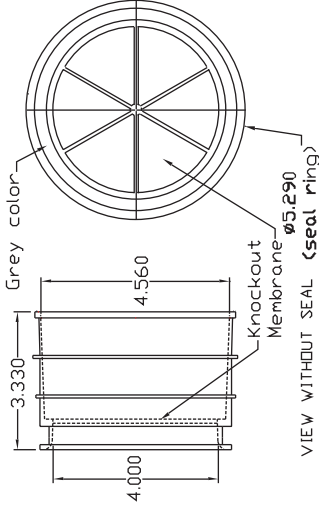
TE-2 2" TERMINATOR
 (ACCEPTS SCH 40 ONLY)



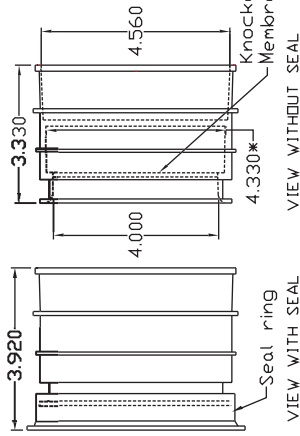
TE-3 3" TERMINATOR
 (ACCEPTS SCH 40 ONLY)



VIEW WITH SEAL



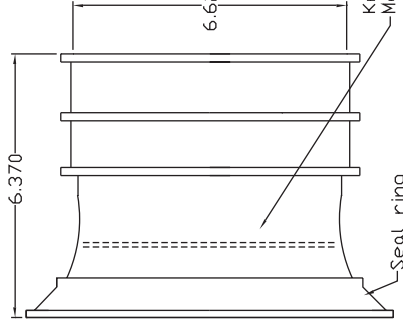
VIEW WITHOUT SEAL (seal ring)
TE-4G OR TE-4GS 4" TERMINATOR
 (ACCEPTS SCH 40 ONLY)



VIEW WITHOUT SEAL

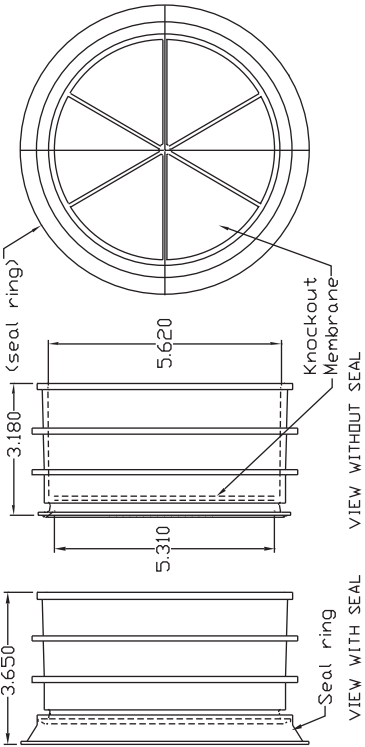
TE-4B OR TE-4BS 4" STEP-DOWN TERMINATOR
 (ACCEPTS SCH 40 OR SCH 20)

* I.D. reduces to accept SCH20 pipe.



VIEW WITH SEAL

TE-6 OR TE-6S 6" TERMINATOR
 (ACCEPTS SCH 40 ONLY)



VIEW WITHOUT SEAL

TE-5 OR TE-5S 5" STEP-DOWN TERMINATOR
 (ACCEPTS SCH 40 OR SCH 80)

Model	TE-2	TE-3	TE-4B	TE-4BS	TE-4G	TE-4GS	TE-5	TE-5S	TE-6	TE-6S
Color	White	grey	black	black	grey	grey	black	black	black	black
Duct Size	2"	3"	4"	4"	4"	4"	5"	5"	6"	6"
Wall	SCH40	SCH40	SCH20	SCH20	SCH40	SCH40	SCH40	SCH40	SCH40	SCH40
Seal	n/a	n/a	no	yes	no	yes	no	yes	no	yes

Specifications: Penetrations for cables shall be Electric/Telephone Duct Terminators as manufactured by Pennsylvania Insert Corp., Spring City, PA. Terminators shall be sized to accept 2", 3", 4", 5", 6" Sch 40 (20, 80) pipe and will provide a bonding surface for glueing cable or duct to the terminator, creating a watertight penetration. Terminators shall be manufactured from polyethylene or polyvinylchloride (PVC).